

(19)



(11)

EP 2 696 009 A1

(12)

EUROPEAN PATENT APPLICATION

(43) Date of publication:
12.02.2014 Bulletin 2014/07

(51) Int Cl.:
E04G 23/02^(2006.01) E04F 13/02^(2006.01)

(21) Application number: **13180003.9**

(22) Date of filing: **09.08.2013**

(84) Designated Contracting States:
AL AT BE BG CH CY CZ DE DK EE ES FI FR GB GR HR HU IE IS IT LI LT LU LV MC MK MT NL NO PL PT RO RS SE SI SK SM TR
Designated Extension States:
BA ME

(71) Applicant: **Fiorin, Walter Preganziol (IT)**

(72) Inventor: **Fiorin, Walter Preganziol (IT)**

(74) Representative: **Zamprogno, Bruno et al STUDIO TORTA S.p.A. Via Viotti, 9 10121 Torino (IT)**

(30) Priority: **10.08.2012 IT TV20120161**

(54) Anchoring structure and method of anchoring a frescoed plaster layer to a wooden plaster-holding timber frame of a building ceiling

(57) An anchoring structure designed to anchor a plaster layer (300) to a plaster-holding timber frame (200) of a building ceiling (100). The plaster-holding timber frame (200) comprising slots (220) and said plaster layer (300) having an upper surface (300a) facing the plaster-holding timber frame (200) and shaped so as to slip/be inserted in the slots (220) to form anchoring ribs (310). The anchoring structure (1) comprising a plurality of mechanical anchoring members (2), which are firmly con-

nected to the ribs (310) and extend over the plaster-holding timber frame (200) so as to rest on the upper surface (200b) thereof. The mechanical anchoring members (2) comprising anchoring portions designed to be firmly inserted in holes (5) which are made in the ribs (310) or in the plaster layer (300) in/near said fixing points. The anchoring structure (1) further comprises a fixing mixture which is injected in the holes (5) to embed the anchoring portion inside the hole (5) to cause the anchoring portion to be fixed to the plaster layer (300).

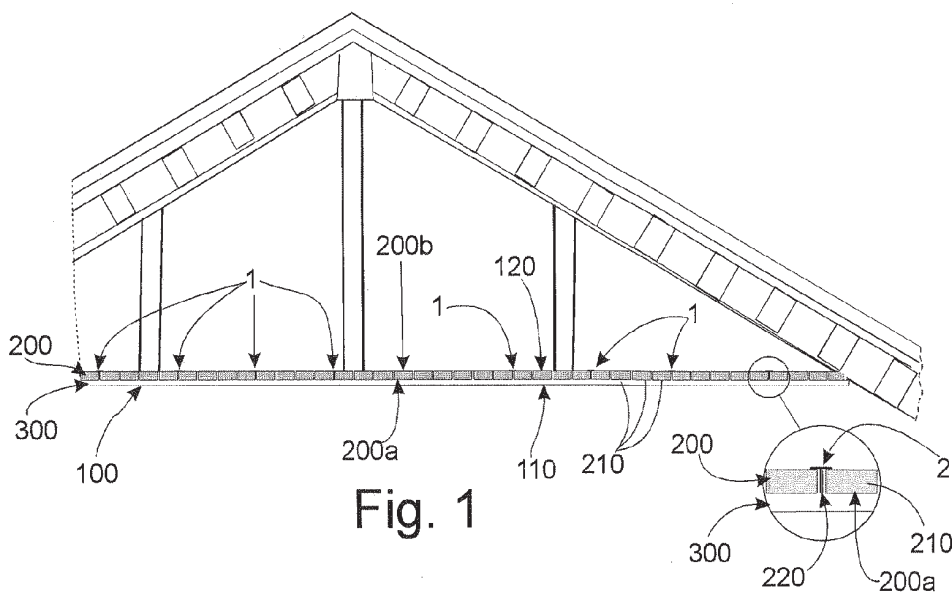


Fig. 1

EP 2 696 009 A1